



NYS Forum

Project Management Work Group

UniteNY Network Consolidation
Presenter: Vijay Madala

Agenda

- Introduction
- Background
- Project Benefits
- Project Phases
- Planning and Communication
- Technical Details
- Status
- Map
- Decommissioning
- Lessons Learned
- FAQ's
- Risks and Issues
- Questions

Part of IT Transformation Effort Aimed at Consolidating IT Operations Across Agencies

- Network Convergence
- Unified Communications
- UC Core and Service
- Wide Area Network

Project Background

- Formed in November 2014
- Four Teams of Three With Supervisor
- Centrally Located at 540 Broadway
- Project Manager Turnover

Project Benefits

- WAN, LAN Hardware and Circuit Consolidation for a Simpler, Standardized Design Using Modernized Hardware
- Replace Legacy Voice and Data Networks with Low Cost Solutions
- Use Shared Infrastructure to Deliver Data, Voice and Video Services
- Reduced Support Costs
- Direct Access To Services Hosted in Data Center
- Simplify Issue Resolution and Expedite Network Changes – Better Customer Service!!!

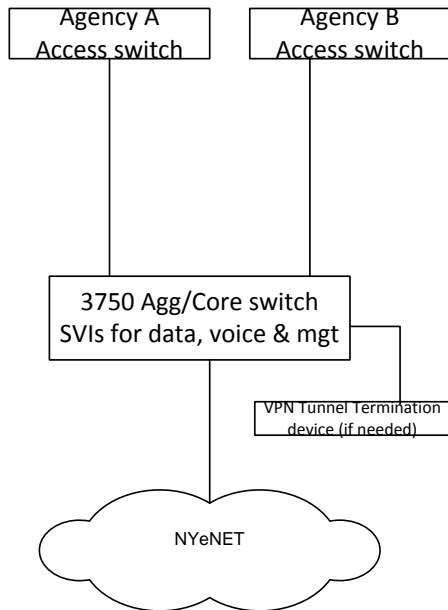
- **Data Gathering and Analysis**
- **Design**
- **Implementation**
- **Closeout**

- Identify Stakeholders
- Schedule Kickoff Meeting
- Coordinate Changes
- Identify Testers
- Coordinate Internal Resources
- Schedule Conference Bridge
- Notify Service Desk
- Change Announcement Template
- Notify All Agencies in Building Regardless of Impact
- Tickets Opened Assigned to Group

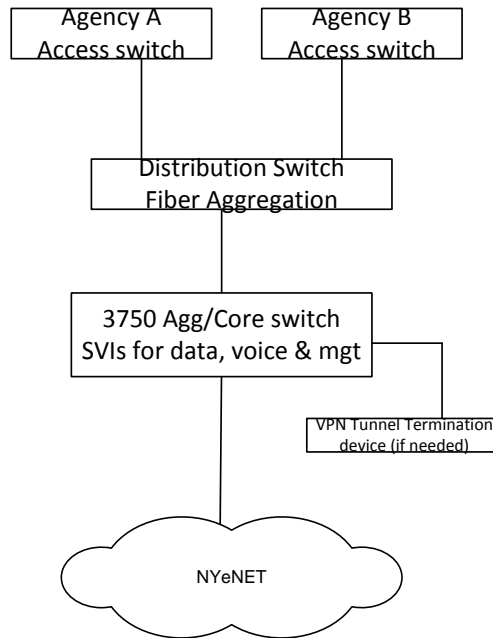
- MPLS Backbone WAN is Utilized to Transport Data from Remote Sites to Data Centers
- Agency Data Logically Segregated
- Users Isolated Physically from the Data Center Infrastructure
- Retains Access to Existing Data Centers
- All Network Devices in One Management VLAN
- Migration to NYeNet Compliant IP Space
- Standard Template Configurations Including QoS, Authentication, etc...
- All Network Devices Added to Management and Monitoring Platforms
- Centralized Documentation

Network Consolidation High Level Designs

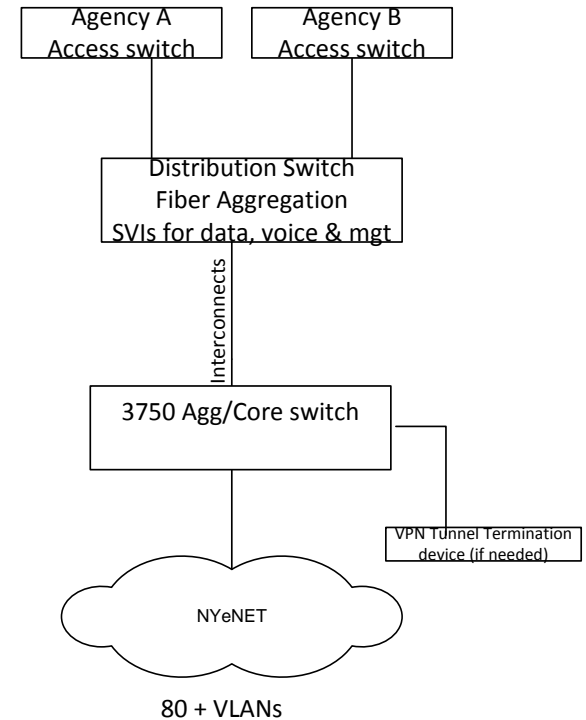
Small Size Building



Medium size Building



Large size Building



Locations Completed:

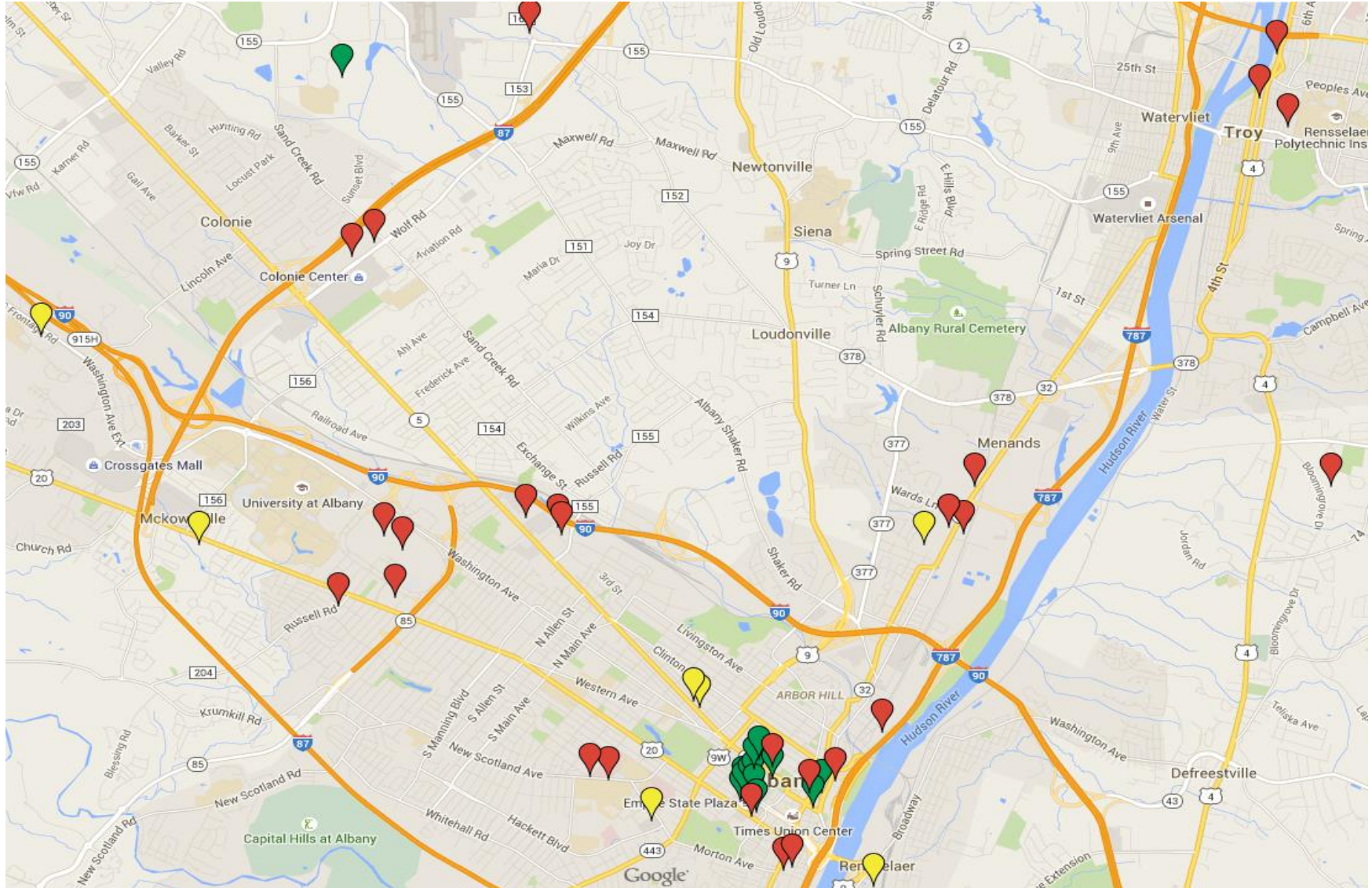
Location	Start	Finish	Agencies
Agency Building 1	1/1/15	3/31/15	DCS, DTF, DHR, DOB
Agency Building 2	1/1/15	3/31/15	OFA, GOER, OIG, DVA, DCS
Agency Building 3	1/1/15	3/31/15	DPS
Agency Building 4	1/1/15	3/31/15	DOB, ABO
Alfred E. Smith	1/1/15	3/31/15	DCJS, DCS, ILS, SLA, DOS, OGS
Concourse	1/1/15	3/31/15	OGS, DOH, GOER, ITS, EAP, DCS
Capitol	1/1/15	3/31/15	DOB, OGS
Swan St	1/1/15	3/31/15	ITS, DMV, DCS, OGS
Corning Tower	1/1/15	3/31/15	OGS, DOH, WCB, Wadsworth Labs, ITS
Hampton Plaza	4/1/15	5/26/15	HCR, OGS
540 Broadway	4/1/15	5/18/15	ITS, JCOPE
1 Broadway Ctr.	4/1/15	5/17/15	OCFS, Gaming

Locations In Progress:

Location	Start	Planned Finish	Agencies
10b Airline Dr	4/1/15	6/11/15	Ag. and Markets, GOER
240 Washington Ave	4/1/15	6/30/15	GOER
52 Washington	4/1/15	6/20/15	OCFS
800 N Pearl	4/1/15	6/30/15	OGS, OMIG, DOCCS, DOH
97 Central Ave	4/1/15	6/30/15	DOCCS
145 Central Ave	4/1/15	6/30/15	DOCCS
1450 Western Ave	4/1/15	7/31/15	OASAS, Wadsworth Labs
44 Holland	4/1/15	9/30/15	OMH, OPWDD, OGS, HSEN
99 Washington Ave	4/1/15	6/30/15	DOS, HSEN ,DOH, DDPC, HESC, DCS, DFS, ITS, GOSR

Locations Planned For Next Quarter and Beyond:

Location	Start	Finish	Agencies
40 North Pearl	7/1/15	9/30/15	OTDA, OGS, BOE, ITS
500 Balltown Rd	7/1/15	9/30/15	OPWDD
30 North Russell	7/1/15	9/30/15	DOCCS
625 Broadway	7/1/15	9/30/15	DEC, Parks, ESD, EFC, Greenway
50 Wolf Rd	7/1/15	9/30/15	DOT, OGS
150 Broadway (Riverview Ctr)	7/1/15	9/30/15	DOH, OTDA, DOCCS, OMH, HESC, OSC, OCFS, DOL, ITS, OGS
Campus Building 12	7/1/15	9/30/15	DOL, ITS
Campus Building 18	7/1/15	9/30/15	DCS, OGS
328 State St	10/1/15	12/31/15	WCB, OGS, ESC
875 Central Ave	10/1/15	12/31/15	DOH
845 Central Ave	10/1/15	12/31/15	DOCCS
Campus Buildings	10/1/15	12/31/15	Various
Troy Atrium	10/1/15	12/31/15	ITS, DOL
Sterling Winthrop	10/1/15	12/31/15	DOH, SUNY Health



- **266 Network Devices Identified For Removal**
- **32 Circuits Identified For Disconnect**

- Always Perform Pre-Test
- Verify That Testers Know What Their Responsibilities Include
- Ensure Physical Access
- If Issues Arise Be Sure All Necessary Parties Join Conference Bridge
- Sometimes technical folks are unaware of business requirements

Frequently Asked Questions

1. Are these changes going to impact other ITS Transformation Projects?
2. What do we have to test?
3. What happens if changes fail?
4. What is the business impact?
5. Will there be a performance improvement?

Leadership Pushing Speed Limits?



Questions

